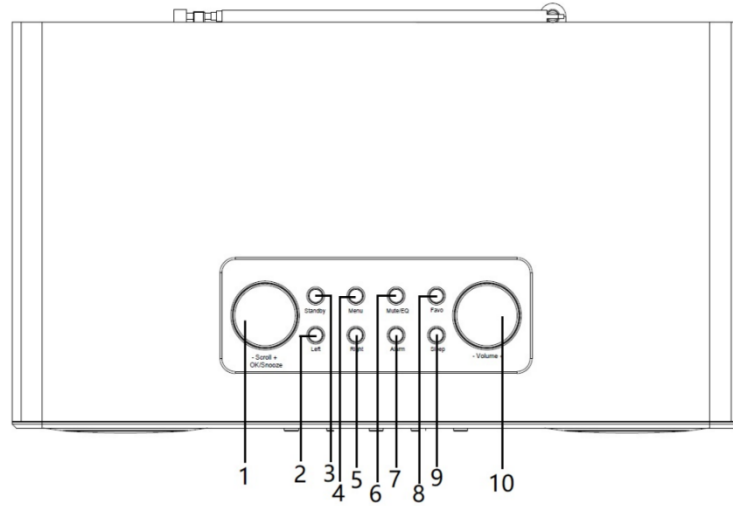
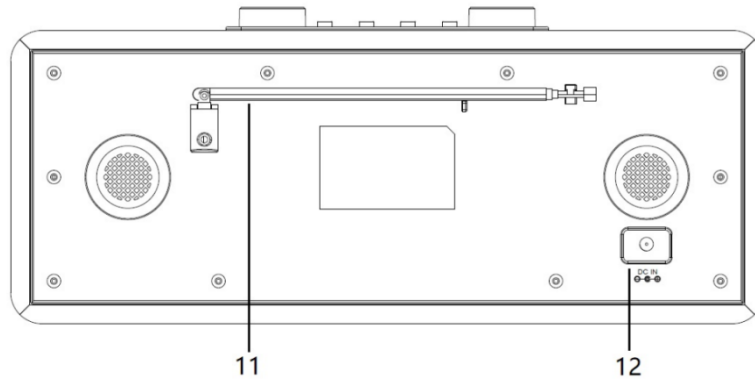


Instruction Manual

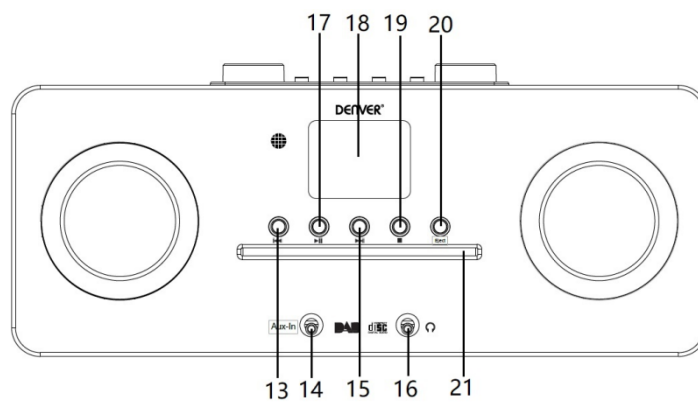
Product Overview Top view



Rear view

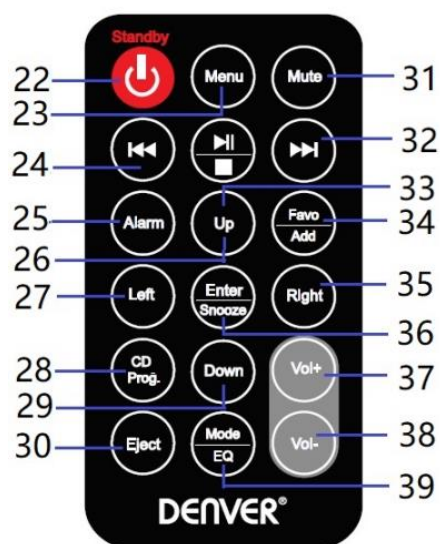


Front view



1	SCROLL + / - knob; OK/SNOOZE button	12	DC IN socket
2	LEFT button	13	⏮ Previous button
3	STANDBY/ON button	14	AUX IN
4	MENU button	15	⏭ Next button
5	RIGHT button	16	Headphone socket
6	MUTE/EQ button	17	⏸ ▶ Play/Pause button
7	ALARM button	18	LCD display
8	FAVO button	19	■ Stop button
9	SLEEP button	20	EJECT button
10	VOLUME +/- knob	21	CD slot
11	Telescopic antenna		

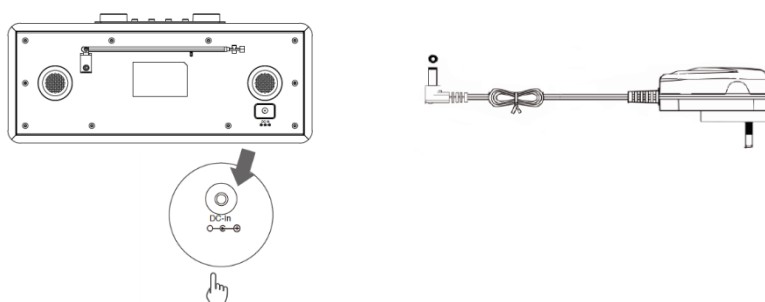
Remote control



22	Standby	31	Mute
23	Menu	32	⏭ Next
24	⏮ Previous	33	⏸ ▶ Play/Pause
25	Alarm setting	34	Favo/Add

26	Up	35	Right
27	Left	36	Enter/Snooze
28	CD Prog.	37	Vol +
29	Down	38	Vol -
30	Eject	39	Mode/EQ Setting

Power connection



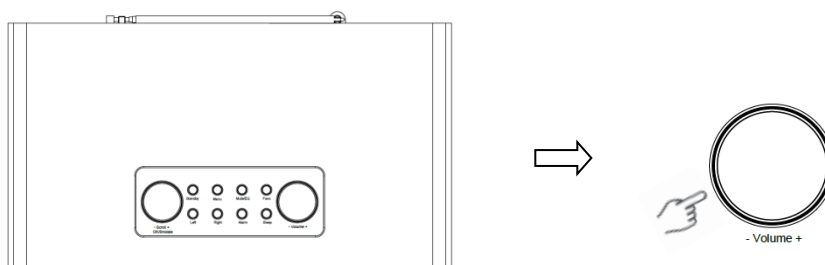
1. Connect the power adaptor with the radio, and then connect the power adaptor to the mains socket. The unit is powered on.
2. Press **Standby** button to switch the unit to standby mode. To switch the unit off, press the **Standby** button and unplug the unit from the mains socket.

Network setting

Users encountering networking issues may find these options useful for diagnosing and fixing network problems.

- 1 Press **Menu** button and select **Configuration - Network**, press **OK/SNOOZE** button to confirm.
- 2 Turn **SCROLL + / -** knob to select your desired network setting option, and then press **OK/SNOOZE** button to confirm your setting.

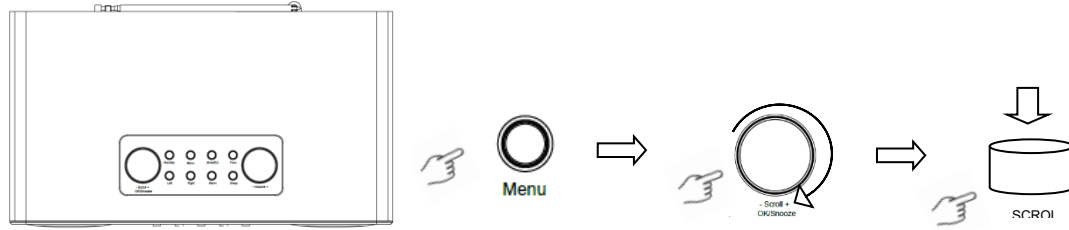
Adjusting the volume



Use the **VOLUME + / -** knob or **Vol +** or **Vol-** buttons to increase or decrease the volume of the unit.

Date & Time Setting

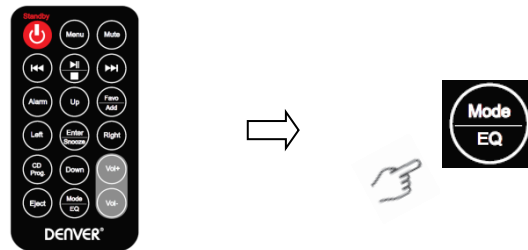
- 1 The clock can be updated automatically if connected to the internet or received DAB/FM signals in your location.
- 2 To manually set the date and time, press **Menu** button and select **Configuration - Date & Time**.



Internet Radio Mode

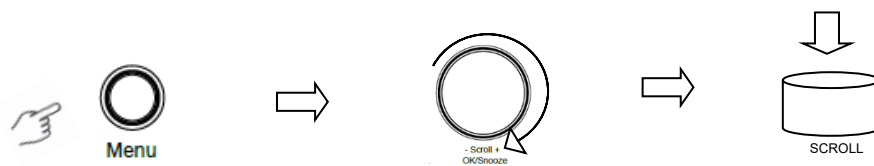
- 1 Press **Menu** button and select **Internet Radio mode – Skytune, Search (Skytune) or History**.

Listen to DAB radio stations

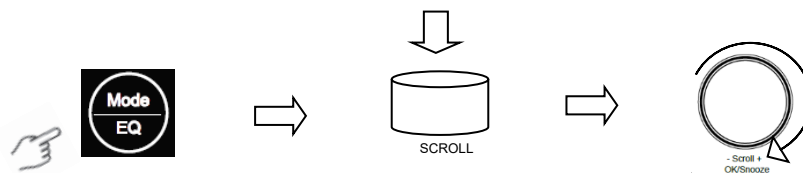


1. For initial use, press **Menu** button and select **Configuration – DAB Setup**, and then select **DAB Full Scan** to carry out a full scan and store stations list in memory.
2. Press **Menu** button, use **OK** button scroll to **DAB Radio** mode, and press **OK** button, then turn **SCROLL + / -** knob to select your desired station in **DAB Station List**, press **OK/SNOOZE** button to confirm.

Note: If you change your area, please repeat step 1 to enable DAB function.

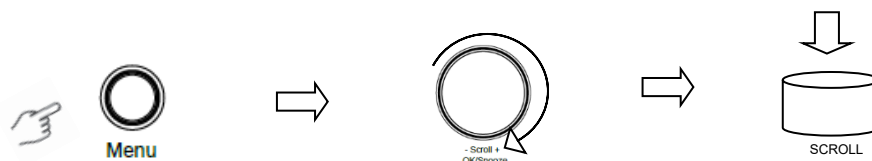


Listen to FM Radio stations



1. For initial use, press **Menu** button and select **Configuration – FM Setup**, and then select **FM Full Scan** to search the FM radio stations.
2. Press **Menu** button, use **OK** button scroll to **FM Radio** mode, and press **OK** button,, turn **SCROLL + / -** knob to select your desired station in **FM Station List**, press **OK/SNOOZE** button to confirm.

Note: If you change your area, please repeat step 1 to enable FM function.

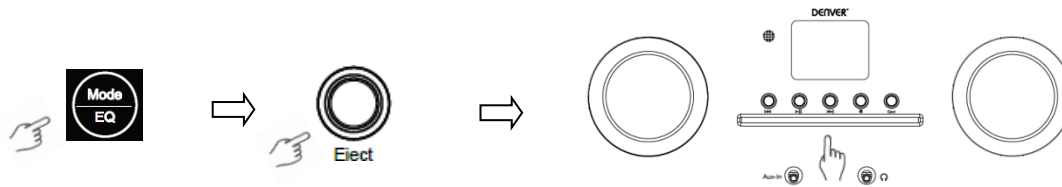


My Favorite FM stations

Your radio can store up to 10 of your favorite FM stations. This will enable you to access your favorite stations quickly and easily.

1. While playing your favorite station, long press **Favo** button on the control panel to confirm.
2. Turn **SCROLL + / -** knob to select "YES" and then press **OK/SNOOZE** button to confirm.

CD Player mode



- 1 Press **Menu** button to select **CD Player**, then insert a CD.
- 2 Press **|| ▶** to play or pause the music. Press **▶▶** to play the next track, press **◀◀** to the previous track. Press **■** to stop playing the music.
- 3 Press **Eject** button to eject the CD.

Media Centre

UPnP (Universal Plug and Play)

You can stream music from a networked device which supports UPnP function, allow sharing of the data and entertainment. For instance, most of the latest computer laptop supports UPnP, and you can stream the music from Windows Media Player application on the computer and Listen on your radio.

If your PC is running Microsoft Windows XP, you can use Windows Media Player 11 (WMP11) to act as your UPnP (Universal Plug and Play) media server. (For Windows 7 or above, please download the correspond version of Windows Media Player). Windows Media Player 11 may be downloaded from Microsoft's website and install by following the instructions detailed in its installation wizard.

Once installed, Windows Media Player 11 will create a library from all the media files available to it on your PC. To add new media files to the library, ENTER **File > Add to Library > Advanced Options**, Click 'Add' and choose the files you wish to add and click 'OK'.

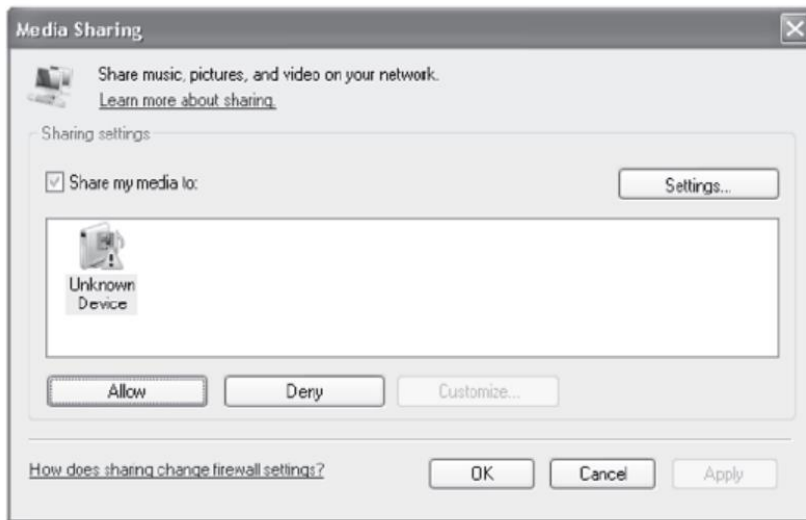
You will now need to connect your Internet radio to Windows Media Player 11 and configure it to allow the radio to access your media library. In order to this, you will need to do the following:

- 1 Press **Menu** button to select **Media Centre**, and then enter **UPnP**. Press **OK/SNOOZE** button to scan for all available UPnP servers. It may take a few seconds for the radio to complete its scan and before the scan has completed, the radio will display 'Scan for media server...'. The radio will continue to display 'Empty list' if no UPnP servers are found.
- 2 After a successful scan. Access your UPnP server, turn **SCROLL + / -** knob to select your desired server, and then press **OK/SNOOZE** button to confirm ('Access Denied' will be displayed at this stage).
- 3 Your PC will now prompt you that a device has attempted to connect to your UPnP server. In order to allow the radio to have access to the media files, you will need to click the 'Library' tab from Windows Media Player 11 and access the <Media Sharing> item to open the 'Media Sharing' window.

Access "Media Sharing" for Windows Media Player 11:

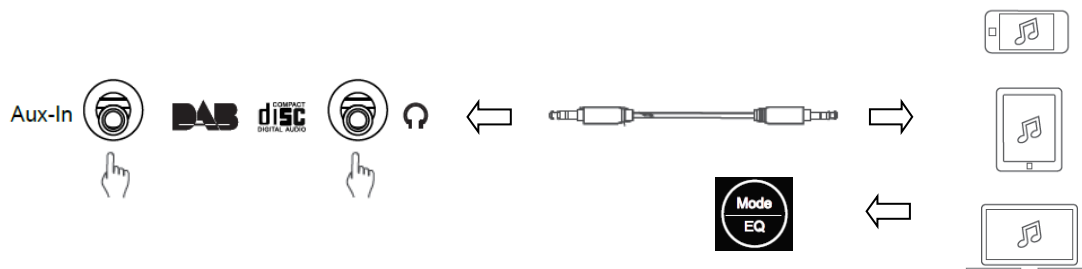


- From the 'Media Sharing' windows, the radio will be listed as an unknown device. Click on the unknown device, and then click the 'Allow' button. Then click 'OK'. Allowing the unit to Connect.



- Turn **SCROLL + / - knob** to select your desired music, and then press **OK/SNOOZE** button to display.
 Note: When you are playing the music under UPnP, you are able to change the mode of playback via accessing Media Player/Playback Mode.

AUX-in



- Press **Menu** button to select **Aux-in** mode then press **OK** button to confirm.
- Connect one end of the 3.5mm line in cable into the port on the unit and insert the other end into your device.
- Choose your music from your device.

Bluetooth mode

- 1 Press **Menu** button until **Bluetooth** is selected.
- 2 From your Bluetooth device, search for available Bluetooth devices.
- 3 Select "MIR-260" and connect.

Sleep timer

This feature enables your radio to switch to standby mode after a set sleep time.

- 1 Press **Sleep** button, Turn the **SCROLL + / -** knob to select from below options: Turn Off, 15, 30, 45, 60, 90, 120, 150 and 180 minutes. Press the **OK/SNOOZE** button to confirm the selected one. The sleep icon and sleep time will be shown on the display.

Alarm setting

Your radio includes dual alarms. Before setting an alarm, make sure to set the clock first.

1. Press the **ALARM** button to go to enable the alarm function.
2. Turn the **SCROLL + / -** knob to select "Alarm 1" or "Alarm 2", and then press the **OK/SNOOZE** button to confirm.
3. Turn the **SCROLL + / -** knob to select options (Time, Sound, Repeat, Alarm volume), and then press the **OK/SNOOZE** button to confirm the settings.
4. When an alarm rings, press **SNOOZE** button to stop the alarm. The alarm will sound again 9 minutes later.
5. When an alarm is stopped, press **ALARM** button, the alarm will sound again the next day at the same time.

Backlight Setting

This radio display has a backlight with adjustable brightness level.

1. Press the **Menu** button and select **Configuration - Dimmer**, then press the **OK/SNOOZE** button to confirm.
2. Turn the **SCROLL + / -** knob to select **Mode** or **Level**, and then press the **OK/SNOOZE** button to confirm.
3. Turn the **SCROLL + / -** knob to select backlight level, and then press the **OK/SNOOZE** button to confirm the setting.

Language setting

You can change the display language of your unit, there are 9 options available: German, English, Spanish, French, Italian, Dutch, Polish, Russian and Chinese.

1. Press the **Menu** button and select **Configuration - Language**, press the **OK/SNOOZE** button to confirm.
2. Turn the **SCROLL + / -** knob to select your desired language, and then press the **OK/SNOOZE** button to confirm.

Factory reset

Doing a factory reset clears all user defined settings, replacing them with the original default values, so time/date, DAB station list and preset stations are all lost.

1. Press **Menu** button and select **Configuration - Reset to default**, press **OK/SNOOZE** button to confirm.
2. Turn **SCROLL + / -** knob to select "YES" and then press **OK/SNOOZE** button to confirm.

Technical specification

Item number:	MIR-260
Power adaptor:	100-240V ~ 50/60Hz
Audio output:	2 x 10W RMS
Frequency range:	
FM:	87.5 MHz to 108 MHz
DAB:	Band III, 174 MHz to 240 MHz

Please notice - All products are subject to change without any notice. We take reservations for errors and omissions in the manual.

ALL RIGHTS RESERVED, COPYRIGHT DENVER ELECTRONICS A/S

DENVER®

www.denver-electronics.com



Electric and electronic equipment and included batteries contains materials, components and substances that can be hazardous to your health and the environment, if the waste material (discarded electric and electronic equipment and batteries) is not handled correctly.

Electric and electronic equipment and batteries is marked with the crossed out trash can symbol, seen above. This symbol signifies that electric and electronic equipment and batteries should not be disposed of with other household waste, but should be disposed of separately.

As the end user it is important that you submit your used batteries to the appropriate and designated facility. In this manner you make sure that the batteries are recycled in accordance with legislature and will not harm the environment.

All cities have established collection points, where electric and electronic equipment and batteries can either be submitted free of charge at recycling stations and other collection sites, or be collected from the households. Additional information is available at the technical department of your city.

Hereby, Inter Sales A/S declares that the radio equipment type MIR-260 is in compliance with Directive 2014/53/EU. The full text of the EU declaration of conformity is available at the following internet address: www.denver-electronics.com and then click the search ICON on topline of website. Write model number: MIR-260. Now enter product page, and red directive is found under downloads/other downloads.

Operating Frequency Range:

Max Output Power:

DENVER ELECTRONICS A/S

Omega 5A, Soefte

DK-8382 Hinnerup

Denmark

www.facebook.com/denverelectronics