



Please read the instruction manual carefully before using the product.

A PRODUCT FEATURES

- 2 swivelling and adjustable LED lamps
- 4 adjustable and interchangeable magnifying lenses: x1.2, x1.8, x2.5, x3.5
- Adjustable soft plastic headband for handsfree work
- Suitable for some hobbies and crafts operated at a dim or dark place: fishing, reading, gardening, sewing, embroidery, carving, handcraft, stamp collection, drawing, assembling small fittings, repairing your car or computer at night, etc.
- Powered by 2 AAA batteries (1.5V each)

B PRODUCT DESCRIPTION

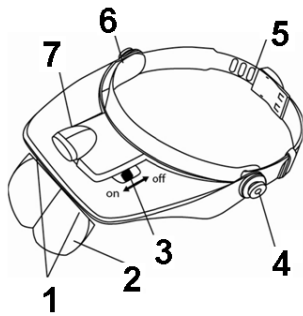


Fig.1

1. Plug-in hole for lens
2. Lens
3. ON/ OFF switch for light
4. Adjusting screw
5. Head band
6. Fixing band
7. Light

C HOW TO USE THE LIGHT?

In order to turn on or off the light, push the switch (3 - Fig.1) marked with ON (downwards) and OFF (upwards).

The angle of LED light can also be adjusted as follows:

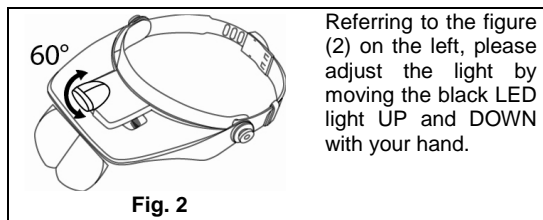


Fig. 2

Referring to the figure (2) on the left, please adjust the light by moving the black LED light UP and DOWN with your hand.

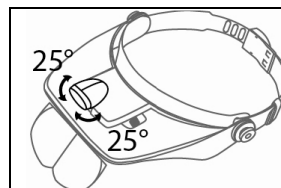


Fig. 3

You can turn the light left or right for 25 degree if you need.

D HOW TO CHANGE THE BATTERY?

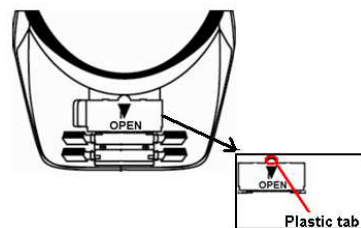


Fig.3

Put the headband magnifier upside down in order to locate the battery compartment. Put your thumb in front of the black tab of the battery cover with symbol and word OPEN. Press on it firmly till it springs out and open. You will hear a click confirming that the battery cover is opened.

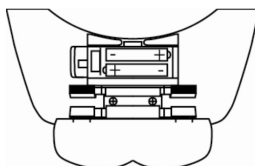


Fig.4

Install 2 AAA or LR03 battery type. Make sure to follow the + and - polarities marked inside the battery compartment. Then, close the battery cover by putting your finger on the tab and press on it.

E METHOD FOR INSTALLING AND REMOVING THE LENS

A) Installing the lens:

1. Before proceeding with installing the lens, swivel the reversed U type of groove to the upward position (the lens should be installed in a bounce position as figure 5).
2. Put the lens upside down on soft paper or cloth in order to protect it from fingerprints.
3. Before any installation, make sure to put the convex side of lens outward (Fig.6) and put the flat side (Fig.7) towards your eyes (the side through which can read or see is the flat side).
4. Install the lens by ensuring to keep the lens parallel to groove, and press. Brackets of lens should be inserted into the plug-in holes on a straight line. If they are not parallel when installing, the upside part of the lens can be damaged. When the brackets are correctly inserted, you should hear a click.
5. According to the usage you need, the bracket can be rotated upward or downward for 45 degree.

Note: you can also overlap two lenses, but pay attention to put the higher magnification in the first position and the lower magnification just behind the higher magnification, in the second position.

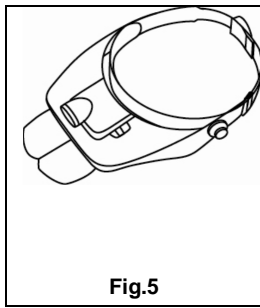


Fig.5

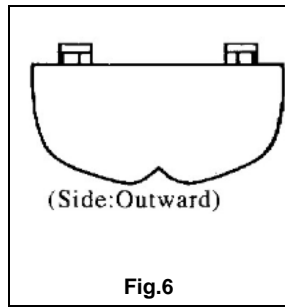


Fig.6

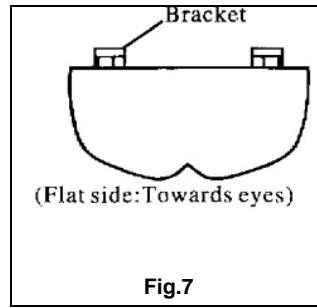


Fig.7

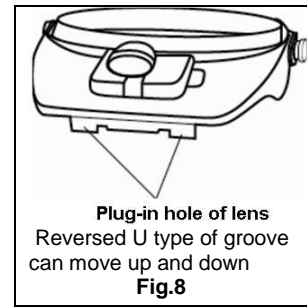


Fig.8

B) Removing the lens :

1. Use soft paper or protective paper to swivel the reversed U type of groove to the upward position in order to avoid any fingerprints.
2. Make sure that the lens is parallel to groove and take them away. You will hear a click confirming that the lens has been correctly removed.



If this product falls on the ground, lens and bracket can be damaged easily.

F ADJUSTMENT OF HEAD BAND

1. First press the buckle marked «PUSH» on the band to the direction of looseness. By doing so, you may release the band (Fig.9).
2. If you want it tight, just pull the end of the band while grasping the buckle, and move it to the direction of tightness.
3. After tightening, just fix it by pressing the buckle aiming at the hole on band.
4. There is no standard to say tight or loose. Just adjust the suitable length according to user.

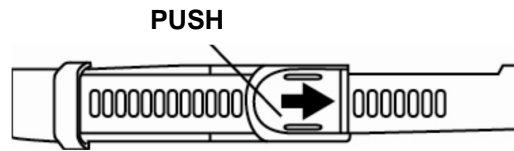


Fig.9

G THE DIFFERENT KIND OF LENS

4 magnifications of lens are supplied with the headband telescope: 1.2 x, 1.8x, 2.5x and 3.5x.

The magnification is shown on the right upper corner of lens (flat side). Select the magnification that suits you best in order to see the object correctly.

H CLEANING AND MAINTENANCE

Clean the lens lightly with the soft cloth for glasses or the face tissues when the surface becomes dirty.



Note: please avoid using volatilizable chemical detergents because they will deteriorate the surface of lens.

I SPECIFICATIONS

- Battery: 2x AAA or LR03 batteries (1.5V each)
- Peanut bulb: 2.2V - 0.25A

J CAUTION FOR USE

Never look directly at the sun through the lens or with the naked eye because permanent and irreversible eye damage may result.

DO NOT put it near a window in direct sun to prevent any fire hazard.

DO NOT put this product near fire source or in a place where there is high temperature. The lens or the frame may be deformed or deteriorated by heat.

Do not drop or bend the magnifier, or shock it with strong force.

Do not leave the head magnifier unsupervised, either when children are present or adults who may not be familiar with the correct operating procedures of this product.



WARNING: You should not dispose of this device with your household waste.

A selective collection system for this type of product is implemented by your local authorities. Please contact your local authorities to find out how and where collection takes place.

These restrictions apply because electrical and electronic devices contain dangerous substances that have harmful effects on the environment or on human health and must be recycled.

This symbol indicates that electrical and electronic devices are collected selectively. The symbol shows a waste container crossed out with an X symbol.