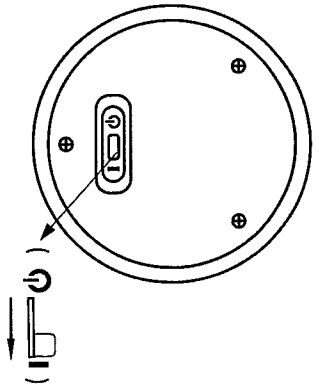


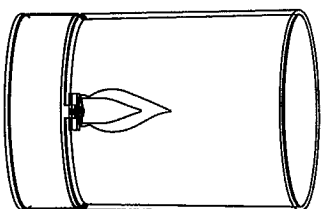
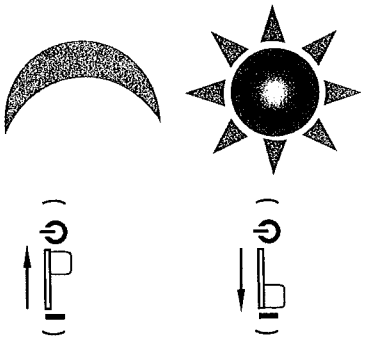
Art no. 479-88,89

FIRST USE

STEP 1.

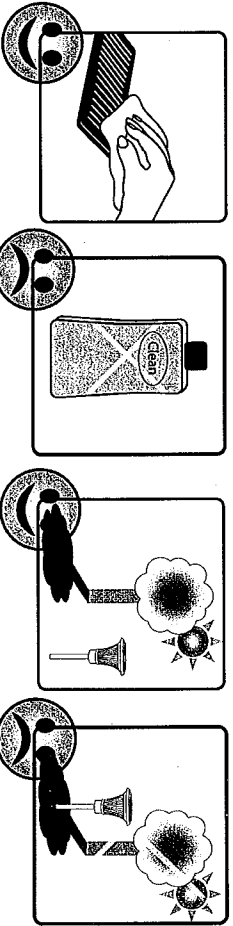
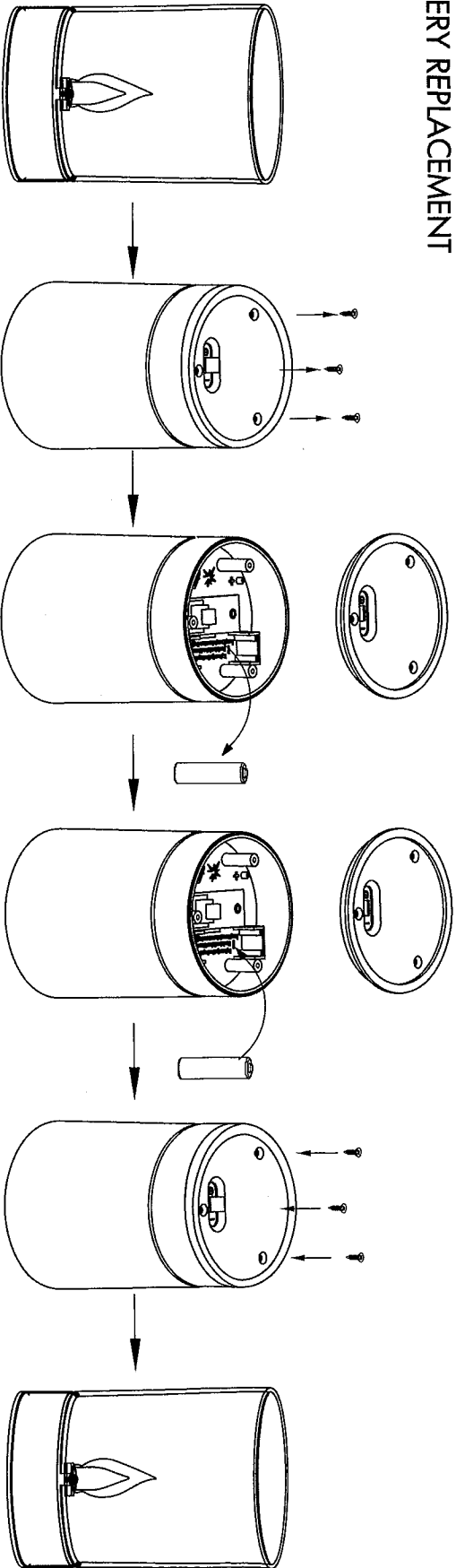


STEP 2.



Ready after
36 h in the sun

BATTERY REPLACEMENT



STAR
TRADING
STAR STREET 1
512 50 SVENLUNGA
SWEDEN